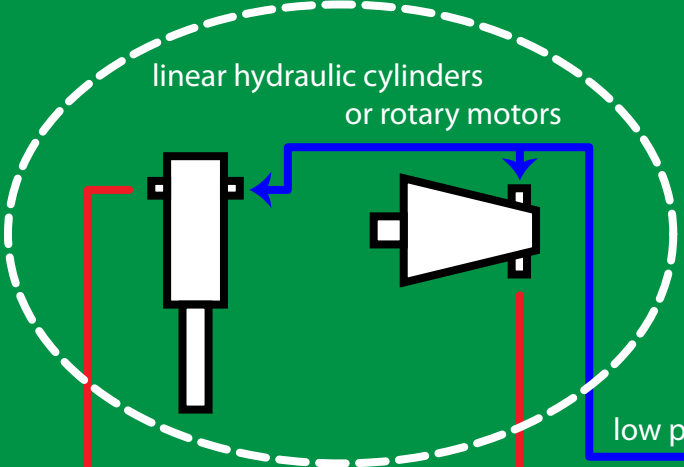




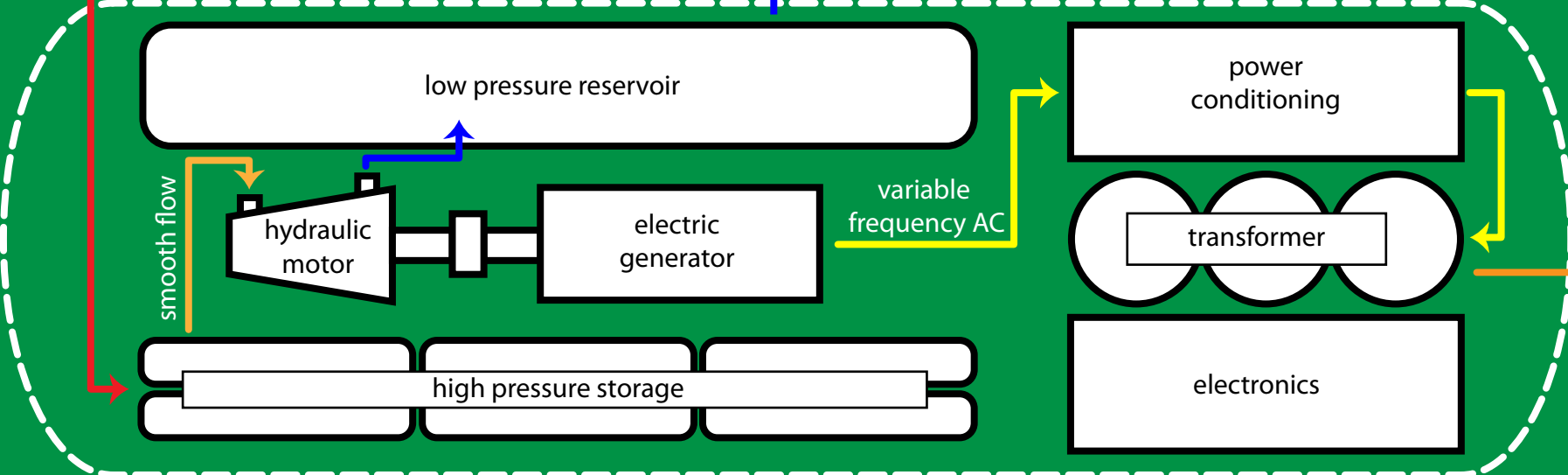
O-DRIVE POWER CIRCUIT

Hydraulic Supply
(Wave, tidal, wind or other source)



irregular high pressure flow

low pressure flow



O-DRIVE

low pressure reservoir

hydraulic motor

electric generator

high pressure storage

power conditioning

transformer

electronics

variable frequency AC

GRID

grid-frequency AC

smooth flow